

## PRODUCT DATA SHEET

# SikaFuko® VT-2

### RE-INJECTABLE HOSE FOR SEALING CONSTRUCTION JOINTS

#### DESCRIPTION

SikaFuko® VT-2 is a re-injectable hose for sealing various construction and connection joints in watertight concrete structures. To seal the joint, SikaFuko® VT-2 is injected with suitable Sika® Injection materials, such as acrylate and cement suspensions (for multiple injections) or polyurethane and epoxy resins (for single injection). With the integrated 'valve techniques' the hose can be used to re-inject multiple times if necessary.

#### USES

- Sealing construction and connection joints
- Suitable for many different structures and construction methods where additional joint security/safety is required
- Sealing of diaphragm wall (D-Wall) with SikaFuko® VT-2
- Prevents water ingress through concrete joints in the following typical structures: Water retaining or excluding structures, water reservoirs, dams, canals, sewage treatment plants, tunnels, subways, retaining walls
- As a back-up system for waterbars
- Enables testing for water leaks

#### CHARACTERISTICS / ADVANTAGES

- Uses unique 'valve techniques' for injection
- Multiple re-injections with Sika injection acrylate resins or cement lime/microfine cement suspension
- One-time injectable with Sika injection polyurethane and epoxy resins
- Easy and secure installation
- Ideal back-up system in combination with waterbars
- Long-term references on many international projects

#### PRODUCT INFORMATION

##### Composition

Yellow inner core

PVC

Yellow profile strips

Neoprene based cellular rubber

Mesh

Polyester

##### Packaging

Supplied as a Combi-pack in a cardboard box containing:

- 125 m SikaFuko® VT-2
- 8 m green PVC-hose (inlet)
- 8 m white PVC-hose (outlet)
- Accessories (2 m connecting pipe, 4 m heat shrink sleeve , x 50 closure plugs, 1 can of glue, 1 roll of tape, x 500 fastening clips)
- Also available as pre-fabricated, made to measure sections in special

packs with accessories to suit for special projects (details on request).

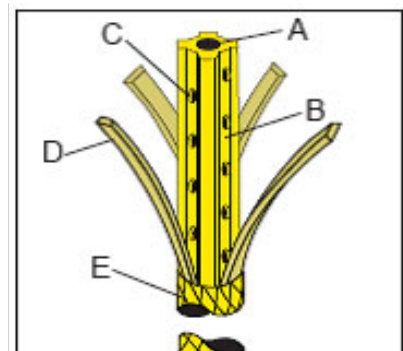
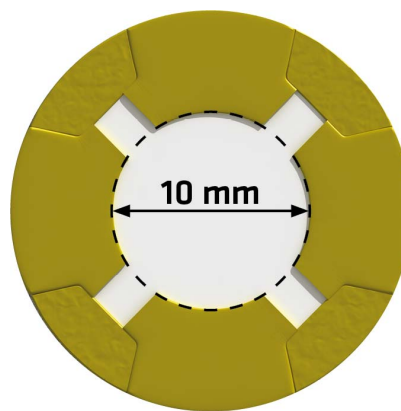
<b>Shelf life</b>	48 months from date of production	
<b>Storage conditions</b>	The product must be stored in original, unopened and undamaged sealed packaging in dry conditions at temperatures between +5 °C and +35 °C. Always refer to packaging.	
<b>Diameter</b>	Internal hose diameter	10 mm
	External hose diameter	24 mm

## TECHNICAL INFORMATION

<b>Shore A Hardness</b>	Yellow inner core	85 ±3	(DIN EN ISO 868)
	Yellow profile strips	20 ±5	
<b>Elongation</b>	Yellow inner core	≥ 250 %	(DIN EN ISO 527)
	Yellow profile strips	≥ 300 %	
	Mesh	≥ 19 %	

## SYSTEMS

### System Structure



A	Injection channel
B	Solid hose core made of high quality PVC compound
C	Lateral grooves with staggered injection openings
D	Compressible neoprene profile strips (as 'valves') over the longitudinal grooves
E	Fine webbed nylon mesh for secure fixing of the neoprene profiles

## APPLICATION INSTRUCTIONS

- Sika® Method Statement: SikaFuko® VT System

### SUBSTRATE PREPARATION

Concrete surface must be clean and all loose materials removed before installing hose and placing concrete.

### APPLICATION METHOD / TOOLS

Reference must be made to the Sika® Method Statement: SikaFuko® VT System. Contact Sika Technical Services for additional information.

## FURTHER INFORMATION

Product Data Sheet  
SikaFuko® VT-2  
January 2020, Version 01.01  
020707100020000001

## IMPORTANT CONSIDERATIONS

Installation work must only be carried out by Sika® trained, approved or competent contractors experienced in this type of application.

- Do not use SikaFuko® VT-2 for sealing expansion / movement joints.
- SikaFuko® VT-2 will only seal the joint if injected by suitable Sika® injection materials.
- Re-injection must be carried out with approved Sika® injection materials.

## BASIS OF PRODUCT DATA

All technical data stated in this Product Data Sheet are based on laboratory tests. Actual measured data may vary due to circumstances beyond our control.

## LOCAL RESTRICTIONS

Please note that as a result of specific local regulations the performance of this product may vary from country to country. Please consult the local Product Data Sheet for the exact description of the application fields.

## ECOLOGY, HEALTH AND SAFETY

### REGULATION (EC) NO 1907/2006 - REACH

This product is an article as defined in article 3 of regulation (EC) No 1907/2006 (REACH). It contains no substances which are intended to be released from the article under normal or reasonably foreseeable conditions of use. A safety data sheet following article 31 of the same regulation is not needed to bring the product to the market, to transport or to use it. For safe use follow the instructions given in this product data sheet.

Based on our current knowledge, this product does not contain SVHC (substances of very high concern) as listed in Annex XIV of the REACH regulation or on the candidate list published by the European Chemicals Agency in concentrations above 0.1 % (w/w)

## LEGAL NOTES

The information, and, in particular, the recommendations relating to the application and end-use of Sika products, are given in good faith based on Sika's current knowledge and experience of the products when properly stored, handled and applied under normal conditions in accordance with Sika's recommendations. In practice, the differences in materials, substrates and actual site conditions are such that no warranty in respect of merchantability or of fitness for a particular purpose, nor any liability arising out of any legal relationship whatsoever, can be inferred either from this information, or from any written recommendations, or from any other advice offered. The user of the product must test the product's suitability for the intended application and purpose. Sika reserves the right to change the properties of its products. The proprietary rights of third parties must be observed. All orders are accepted subject to our current terms of sale and delivery. Users must always refer to the most recent issue of the local Product Data Sheet for the product concerned, copies of which will be supplied on request.

### Sika Italia S.p.A.

Via Luigi Einaudi, 6  
20068 Peschiera Borromeo (MI)  
Phone: +39 02 54778 111  
Fax: +39 02 54778 119  
info@sika.it  
www.sika.it

### Product Data Sheet

SikaFuko® VT-2  
January 2020, Version 01.01  
020707100020000001

SikaFukoVT-2-en-IT-(01-2020)-1-1.pdf